

We present our  
**HIGHLIGHTS**  
at BAU 2025



SOLUTIONS FOR METAL CONSTRUCTION

**BAU**

January 13–17, 2025 | Munich



## OUR HIGHLIGHTS AT BAU 2025

MULTIFUNCTIONAL SYSTEM TECHNOLOGY

BARRIER-FREE SYSTEMS

VENTILATION FLAP WITH 88 MM VIEW WIDTH

TWO-DIMENSIONAL SLIDING SYSTEM IN XXL

CASEMENT SIZES UP TO 3000 MM



## MULTIFUNCTIONAL SYSTEM TECHNOLOGY

The 'chameleon' among the profile systems

The demands placed on modern architecture and construction projects are changing rapidly - with its multifunctional system technology, AKOTHERM offers a solution that can be used flexibly not only today, but also tomorrow.

Our aluminium profiles are characterised by an innovative, modular design that enables rapid adaptation to changing requirements. Thanks to the intelligent system technology, components can be easily extended or converted to new functions without changing the basic structure. Whether improved thermal insulation, increased sound insulation values or additional security functions: AKOTHERM's modular profiles can be easily

modified at any time. Our systems also offer maximum adaptability in terms of smoke and fire protection and impermeability to driving rain - factors that are crucial requirements in many projects.

The integration of these protective functions ensures maximum safety, while at the same time the systems remain flexible and can be adapted to changing building regulations or conditions of use with little effort. With this versatility, we offer planners and architects not only a high level of efficiency, but also the security of realising future-proof and sustainable projects that meet the highest protection requirements.

## MODERN ACCESSIBILITY through levelled transitions



**Zero-threshold available!**

Accessibility is now an established term on the tendering front and therefore a daily use case. Current solutions for level transitions for windows, doors and lift and slide systems that enable unhindered transition from inside to outside are a focal point of the planned exhibits.

However, the topic of accessibility is not exclusively focussed on the threshold area; operating forces also fall under this topic and the 2-dimensional sliding system is also a highlight product in this respect.

Another accessibility feature is the motorised operation of a turn-tilt window, which allows casements to be opened and closed via smart home or app control.

This hardware solution can be realised with the special casement, prepared to accommodate the PVC and timber hardware.

## XXL-SLIDE-SYSTEM

Generous space meets functionality



**up to 400 kg leaf weight!**

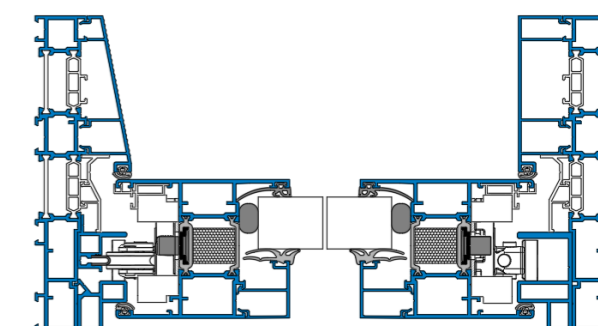
THE highlight at BAU 2025 will be the 2-dimensional sliding system, which will be presented in an XXL format. The aim is to demonstrate the possibilities of this system.

Leaf weights of up to 400 kg and more can be realised with child's play operation - without any motorised drives.

The special feature is the locking system that presses the leaf into a circumferential stop gasket and thus

achieves the best tightness values, even up to 46 dB in sound insulation! Burglar resistance also benefits from this type of locking.

Security locking parts can optionally be used with an all-round push bar fitting. The soft-open and soft-close functions ensure exceptional ease of use, with the leaf being moved to the end position during the opening process or to the locking position when closing, so that only the handle for locking needs to be operated.



## FRESH AIR AT THE TOUCH OF A BUTTON

The innovative ventilation flap

A new addition to the system portfolio is a ventilation flap with a width of just 180 mm. This can be opened manually or motorised.

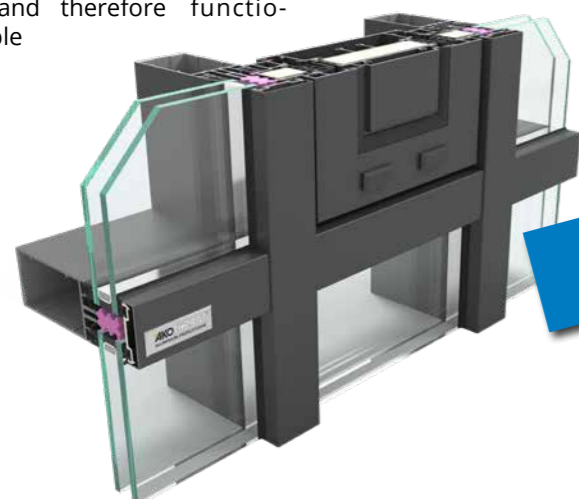
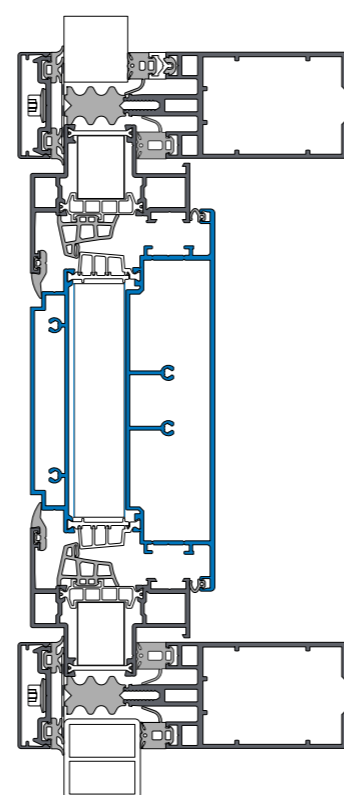
The main advantage of this ventilation flap is the ability to cool down office buildings at night, for example, using motorised control. This cooling also saves energy, especially in the increasingly 'record-breaking summers'.

The ventilation flap can be designed room-high and also ensures fall protection with a small clear opening width. Special insulating bars ensure a distortion-free and therefore functionally reliable

opening casement with easy operation.

Surface-mounted and completely concealed fittings can be selected and the concealed concealed motor can be integrated into the building ventilation control system.

The casement, which is positioned 90° into the room, ensures a pleasant supply of fresh air and leaves plenty of room for interior design. The ventilation flap is used as an insert element in all our façades and window systems.



**88 mm view width!**

## MAXIMUM HEIGHT

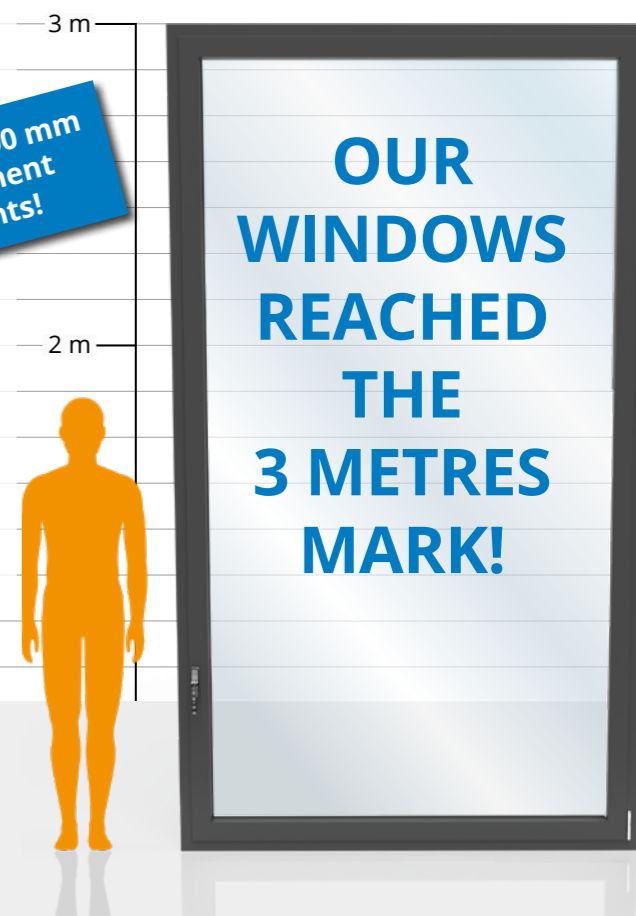
Casements in new dimension

Behind the project name 'casement size diagram' is a multitude of window tests of various types and methods. Thanks to our stable casement sizes, we have succeeded in maximising the window formats.

Casement sizes of 1100 x 2700 mm can be realised with a face width of just 27 mm. This means that we can not only score points with planners and architects thanks to the filigree face widths, but the window manufacturer can also calculate more economically. Not to mention the increased incidence of light.

Casement sizes with formats of 1300 x 3000 mm and weights of 200 kg can be realised with AKOTHERM as standard. Pane bonding as an additional stabilisation measure is not required. We will bring all this to life for visitors!

**up to 3000 mm casement heights!**



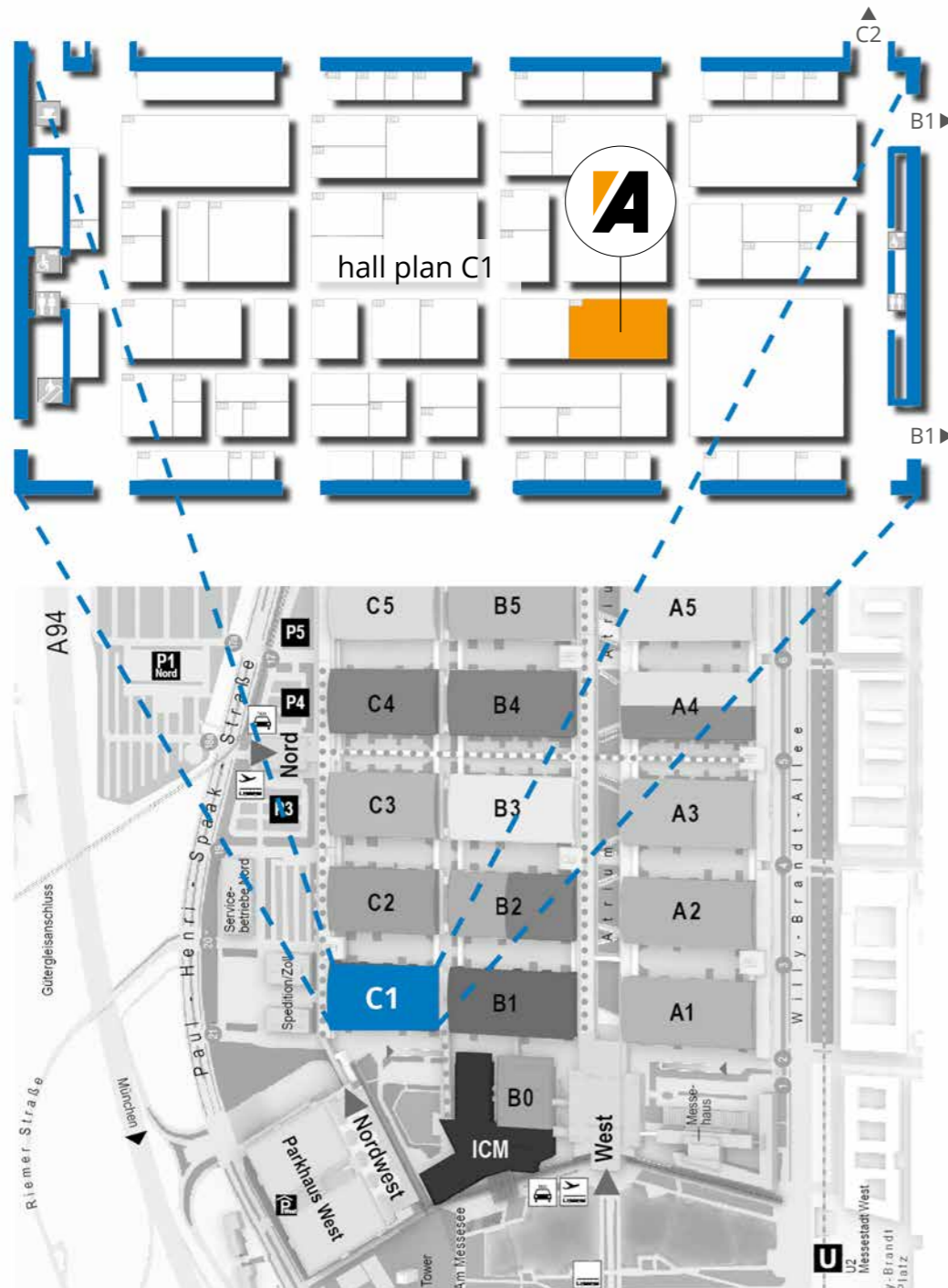
**OUR WINDOWS REACHED THE 3 METRES MARK!**

## HOW TO FIND US

Hall C1 · Booth 328

In hall C1 we will be presenting our highlights and new products at our 200 square metre stand no. 328. The stand is not only an exhibition space where you can experience all the latest products up close, but also a meeting point for professional dialogue.

Our experts will be available for individual technical discussions and provide in-depth insights into the benefits and possible applications of the new aluminium profile technologies.



**SECURE AN APPOINTMENT  
FOR A TECHNICAL DISCUSSION  
AT BAU 2025!**

Scan the QR code and participate.



[akotherm.de/bau](https://akotherm.de/bau)



AKOTHERM GmbH  
Werftstraße 27 · 56170 Bendorf · Germany  
Phone +49 2622 9418-0  
info@akotherm.de  
www.akotherm.de  
Virtual Showroom::  
www.akotherm-digital.de